

HEDO+ BOLLARD



Area and site lighting series. Fixtures consist of:

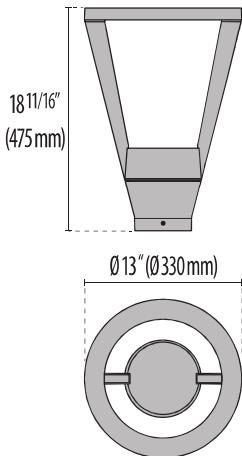
- Multi-step powder-coat painting process, optimized against UV rays and corrosion.
- Copper-free precision die-cast aluminum housing and top cap.
- Custom molded, anti-aging gasket(s).
- Micro-prismatic patterned, tempered, silk-screened, flat glass diffuser.
- Stainless steel external hardware.
- Custom MCPCB utilized to maximize heat dissipation and promote a long LED life.
- IESNA Type V light distribution.
- Input voltage: 120-277 V (50 / 60 Hz), integral 0-10 V dimming driver.
- Integral surge protector can withstand up to 10 kV transient line surge.
- Pre-wired factory sealed cable for external electrical connection included.
- Consult factory for dimming options, marine-grade,

- custom finishes (please specify RAL color), and non-cataloged CCT (Kelvin) options including static colors.
- Consult factory for custom pre-wired factory sealed cable length options.
- Consult factory for pole information.
- Consult factory for wall bracket accessory, multi-head pole mounting, and other custom options.
- Product meets Buy American Act requirements within ARRA.
- 5-year warranty.
- Marine Grade finish.
- Suitable for Natatorium applications.

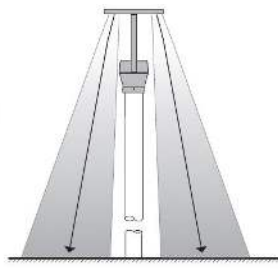


FINISHES

- AN-96 / Iron gray / Textured
- BK-81 / Black / Textured
- GR-94 / Aluminum metallic / Textured
- WH-87 / White / Textured
- RB-10 / Iron rust / Textured



Lumen Output	3K	4K
Hedo+ 7W	624	644
Hedo+ 23W	2080	2145
Hedo+ 35W	3171	3269



Scan here
for installation
instructions

Order Guide - Hedo



Order code example

Hedo-35-T5-AM-3K-120-NA

HEDO-

Wattage	Optics	Finish	Kelvin	Voltage	Controls	Accessories
7 7 watt (min)	T5 Type 5	AM Aluminum Metallic	3K 3000K	UNV 120-277V	NA Non Dimming	BOL Bollard 54"
23 23 watt		IG Iron Gray	4K 4000K		0-10V 0-10V Dimming Driver	BABAA Build America Buy America Act compliant
35 35 watt (max)		IR Iron Rust				
XX Specify Wattage Must be below max		BK Textured Black				ELV 120V Line-Voltage Dimming Driver
		WH Textured White				
		CC Custom Color				
					For more Options Contact Factory	

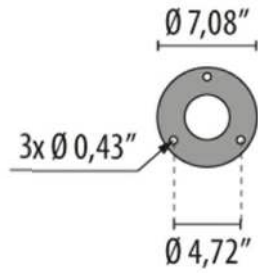
80 CRI STANDARD - OTHER OPTIONS AVAILABLE

Performance in Lighting reserves the right to make all necessary changes without prior notice.

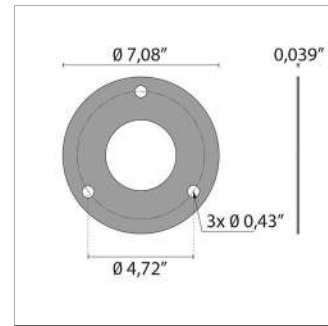
Performance in Lighting - 2621 Keys Pointe - Conyers, Georgia 30013 - USA - voice 770.822.2115 - info.usa@pilighting.com
www.performanceinlighting.com

Revision 02
04/25

54" OAH BOLLARD



TEMPLATE/FIXING PLATE



9395